

# BRK 21-22

## Technical Specifications



Model	Reference	
BRK21 24VDC	151450922	Direct
BRK22 24VDC	151450894	PCB

	BRK 21	BRK 22
System	Pilot valve controlled	
Voltage	24 VDC	
Ampere	0,12 A (both coils ON)	0,09 A
Body	Nylon 66	
Gaskets	Silicone	
Cable	3x0,50	2x0,50
Wiring	Brown + 24 VDC Blue + 24 VDC Yellow-green - 24VDC	Brown + 24 VDC Blue - 24 VDC

PCB



Thread

½" Male

½" Male

## Pulsation Programs



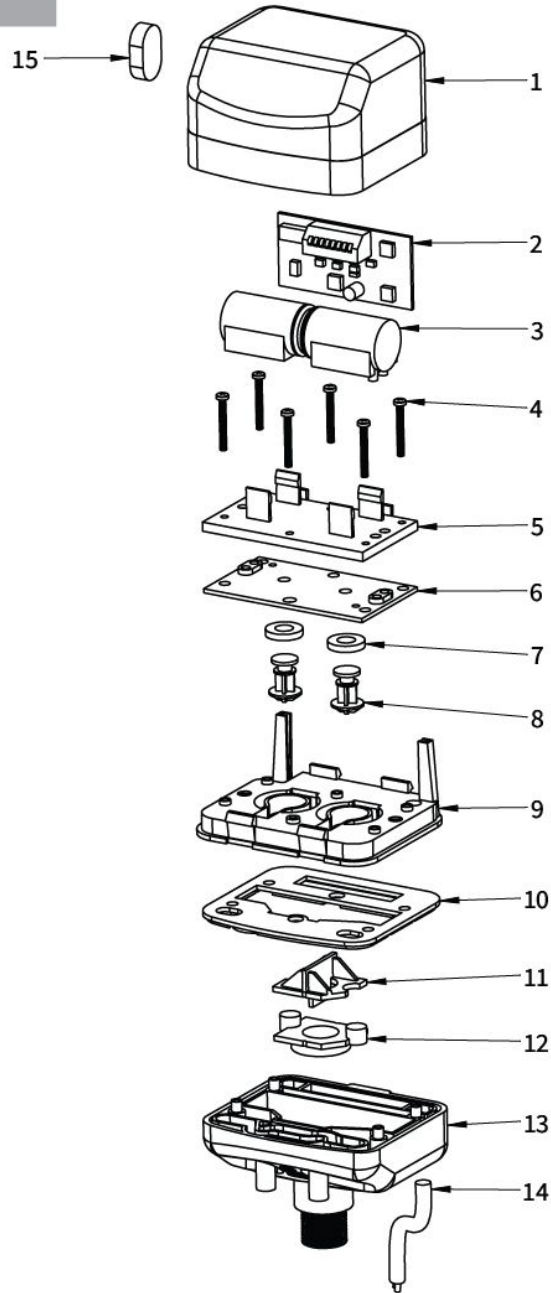
## DIP Switch Settings

	1	2	3	4	5	RATIO	SPEED
0	ON	OFF	OFF	OFF	OFF	50/50	50
1	OFF	ON	OFF	OFF	OFF	50/50	54
2	OFF	OFF	OFF	OFF	ON	50/50	90
3	ON	ON	ON	ON	OFF	50/50	120
4	ON	OFF	OFF	OFF	ON	50/50	150
5	OFF	ON	OFF	OFF	ON	50/50	180
6	ON	ON	OFF	OFF	OFF	55/45	54
7	OFF	OFF	ON	OFF	OFF	55/45	56
8	OFF	OFF	OFF	ON	OFF	65/35	62
9	ON	OFF	OFF	ON	OFF	65/35	64
10	ON	ON	ON	OFF	OFF	65/35	60 SIMULTANEOUS
11	ON	OFF	ON	OFF	OFF	60/40	56
12	OFF	ON	ON	OFF	OFF	60/40	58
13	OFF	OFF	OFF	OFF	OFF	60/40	60
14	OFF	ON	ON	ON	OFF	60/40	90
15	ON	ON	OFF	OFF	ON	60/40	120
16	OFF	OFF	ON	OFF	ON	60/40	150
17	ON	OFF	ON	OFF	ON	60/40	180
18	OFF	ON	OFF	ON	OFF	70/30	60
19	ON	ON	OFF	ON	OFF	70/30	62
20	OFF	OFF	ON	ON	OFF	70/30	64
21	ON	OFF	ON	ON	OFF	70/30	66

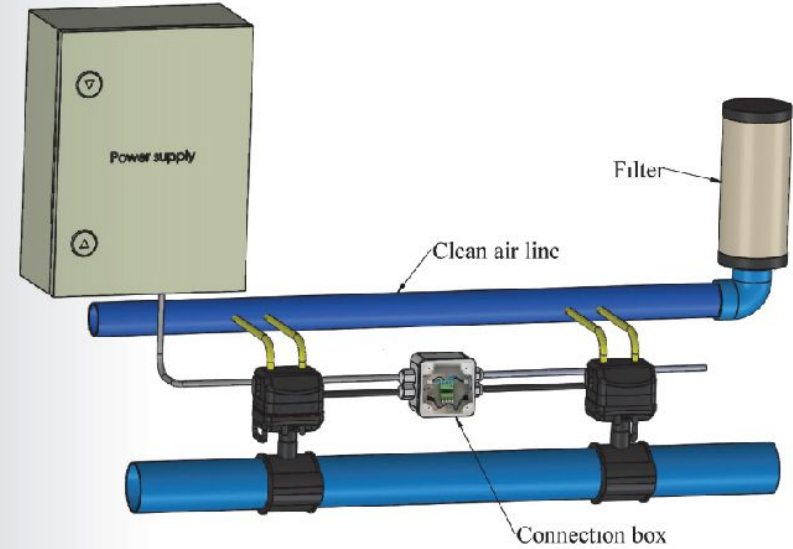
# BRK 21-22

## Technical Specifications

No	Reference
1	151454813
2	150450243 BRK 12/22
2	150450249 BRK 11/21
3	151454048
4	150454062
5	151454814
6	150454058
7	150454059
8	151454819
9	151454817
10	150454060
11	151454815
12	150454061
13	151454816
14	150454027 BRK 12/22
14	150454032 BRK 11/21
15	150454057



It is highly recommended to connect all electronic pulsators to a clean air line



### BRK-12 / BRK-22 CONNECTION BOX WIRING

