

BRK 11-12

Technical Specifications



Model	Reference	
BRK11 12VDC	151450837	Direct
BRK11 24VDC	151450832	Direct
BRK12 12VDC	151450841	PCB
BRK12 24 VDC	151450831	PCB

	BRK 11		BRK 12	
System	Direct servo controlled			
Voltage	12 VDC OR 24 VDC			
Ampere	12 VDC 1,8 A (both coils ON)	24 VDC 0,84 A	12 VDC 1 A (both coils ON)	24 VDC 0,60 A
Body	Nylon 66			
Pistons	Stainless steel			
Gaskets	EPDM			
Cable	3x0,50		2x0,50	
Wiring	Brown + 24 VDC Blue + 24 VDC Yellow-green - 24VDC		Brown + 24 VDC Blue - 24 VDC	

PCB

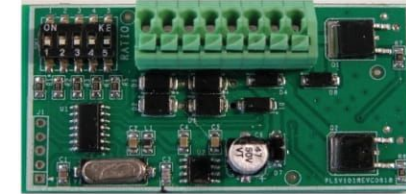


Thread

1/2" Male

1/2" Male

Pulsation Programs



DIP Switch Settings

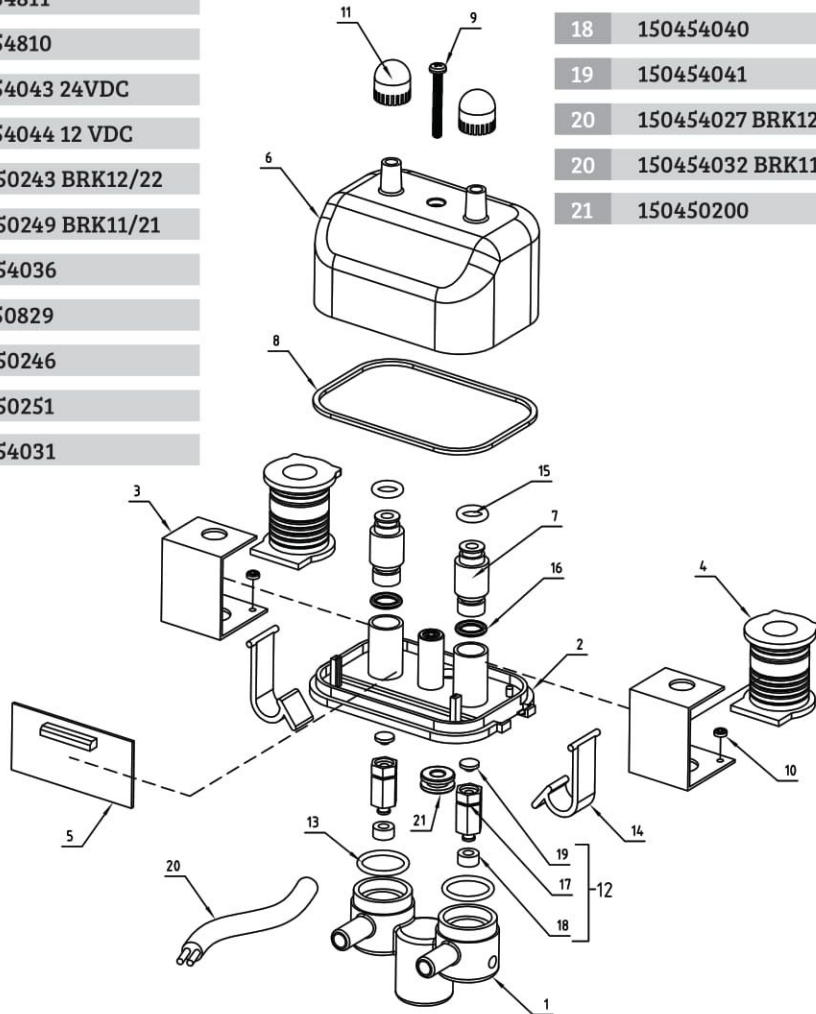
	1	2	3	4	5	RATIO	SPEED
0	ON	OFF	OFF	OFF	OFF	50/50	50
1	OFF	ON	OFF	OFF	OFF	50/50	54
2	OFF	OFF	OFF	OFF	ON	50/50	90
3	ON	ON	ON	ON	OFF	50/50	120
4	ON	OFF	OFF	OFF	ON	50/50	150
5	OFF	ON	OFF	OFF	ON	50/50	180
6	ON	ON	OFF	OFF	OFF	55/45	54
7	OFF	OFF	ON	OFF	OFF	55/45	56
8	OFF	OFF	OFF	ON	OFF	65/35	62
9	ON	OFF	OFF	ON	OFF	65/35	64
10	ON	ON	ON	OFF	OFF	65/35	60 SIMULTANEOUS
11	ON	OFF	ON	OFF	OFF	60/40	56
12	OFF	ON	ON	OFF	OFF	60/40	58
13	OFF	OFF	OFF	OFF	OFF	60/40	60
14	OFF	ON	ON	ON	OFF	60/40	90
15	ON	ON	OFF	OFF	ON	60/40	120
16	OFF	OFF	ON	OFF	ON	60/40	150
17	ON	OFF	ON	OFF	ON	60/40	180
18	OFF	ON	OFF	ON	OFF	70/30	60
19	ON	ON	OFF	ON	OFF	70/30	62
20	OFF	OFF	ON	ON	OFF	70/30	64
21	ON	OFF	ON	ON	OFF	70/30	66

BRK 11-12

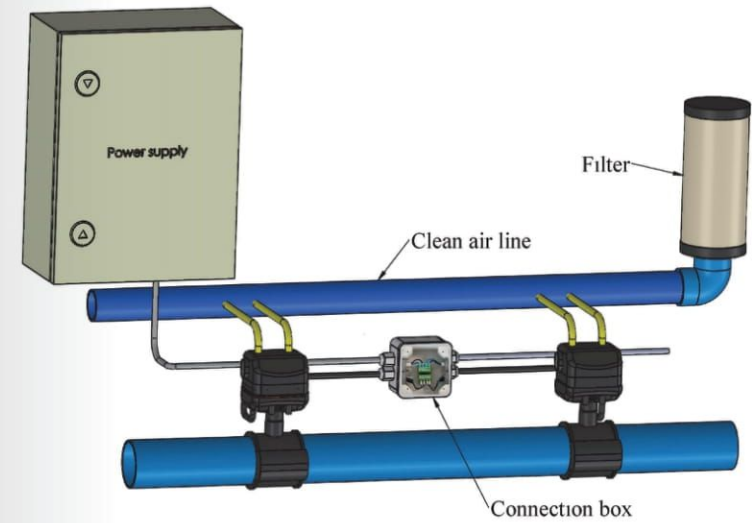
Technical Specifications

No	Reference
1	150454038
2	151454811
3	151454810
4	151454043 24VDC
4	151454044 12 VDC
5	150450243 BRK12/22
5	150450249 BRK11/21
6	150454036
7	151450829
8	150450246
9	150450251
10	150454031

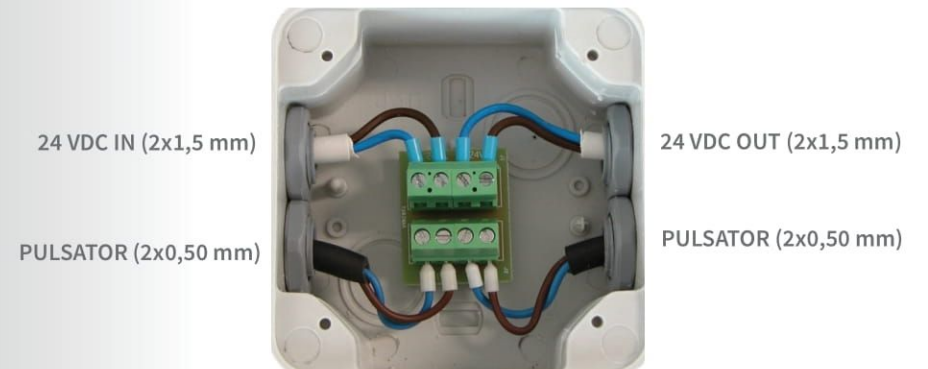
No	Reference
11	150454035
12	151450833
13	150454028
14	150454039
15	150454029
16	150454030
17	151450830
18	150454040
19	150454041
20	150454027 BRK12/22
20	150454032 BRK11/21
21	150450200



It is highly recommended to connect all electronic pulsators to a clean air line



BRK-12 / BRK-22 CONNECTION BOX WIRING





BRK 11-12

Technical Specifications



Model	Reference	
BRK21 24VDC	151450922	Direct
BRK22 24VDC	151450894	PCB

	BRK 21	BRK 22
System	Pilot valve controlled	
Voltage	24 VDC	
Ampere	0,12 A (both coils ON)	0,09 A
Body	Nylon 66	
Gaskets	Silicone	
Cable	3x0,50	2x0,50
Wiring	Brown + 24 VDC Blue + 24 VDC Yellow-green - 24VDC	Brown + 24 VDC Blue - 24 VDC
PCB		
Thread	1/2" Male	1/2" Male

Pulsation Programs



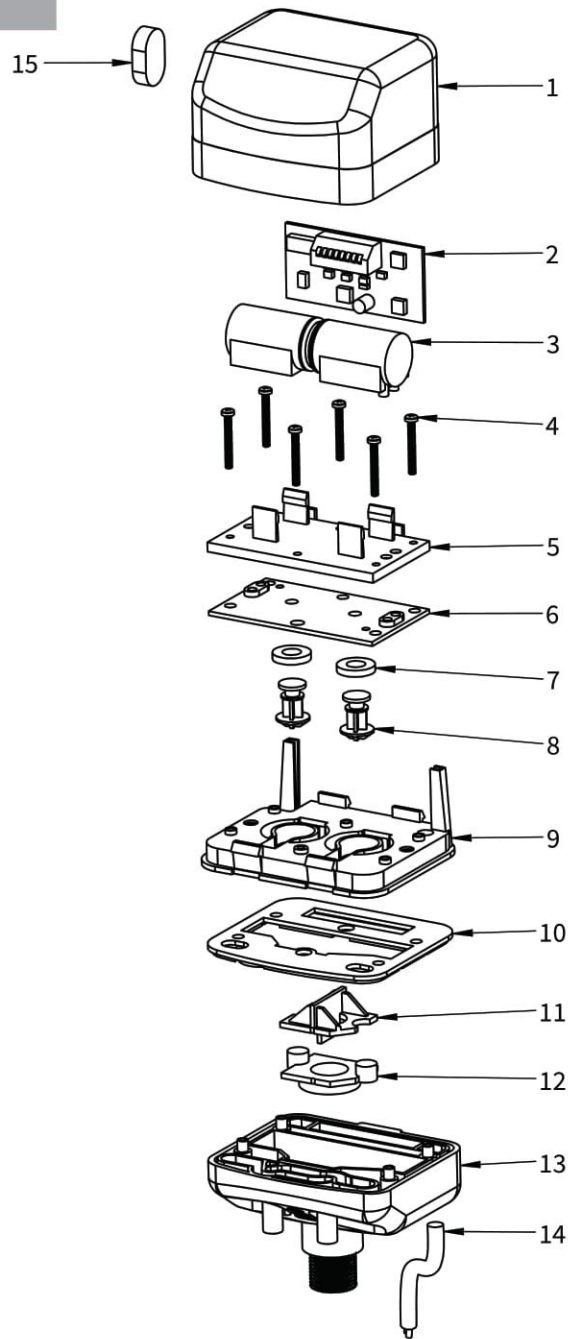
DIP Switch Settings

	1	2	3	4	5	RATIO	SPEED
0	ON	OFF	OFF	OFF	OFF	50/50	50
1	OFF	ON	OFF	OFF	OFF	50/50	54
2	OFF	OFF	OFF	OFF	ON	50/50	90
3	ON	ON	ON	ON	OFF	50/50	120
4	ON	OFF	OFF	OFF	ON	50/50	150
5	OFF	ON	OFF	OFF	ON	50/50	180
6	ON	ON	OFF	OFF	OFF	55/45	54
7	OFF	OFF	ON	OFF	OFF	55/45	56
8	OFF	OFF	OFF	ON	OFF	65/35	62
9	ON	OFF	OFF	ON	OFF	65/35	64
10	ON	ON	ON	OFF	OFF	65/35	60 SIMULTANEOUS
11	ON	OFF	ON	OFF	OFF	60/40	56
12	OFF	ON	ON	OFF	OFF	60/40	58
13	OFF	OFF	OFF	OFF	OFF	60/40	60
14	OFF	ON	ON	ON	OFF	60/40	90
15	ON	ON	OFF	OFF	ON	60/40	120
16	OFF	OFF	ON	OFF	ON	60/40	150
17	ON	OFF	ON	OFF	ON	60/40	180
18	OFF	ON	OFF	ON	OFF	70/30	60
19	ON	ON	OFF	ON	OFF	70/30	62
20	OFF	OFF	ON	ON	OFF	70/30	64
21	ON	OFF	ON	ON	OFF	70/30	66

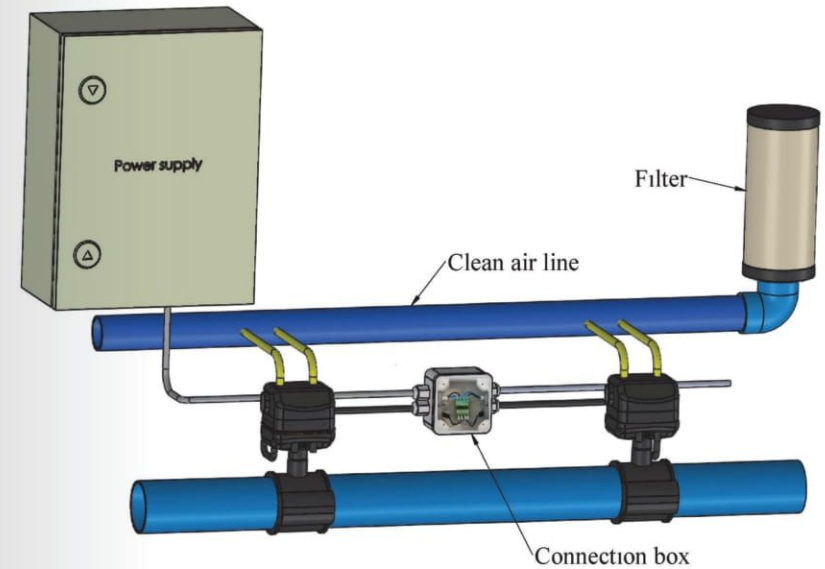
BRK 11-12

Technical Specifications

No	Reference
1	151454813
2	150450243 BRK 12/22
2	150450249 BRK 11/21
3	151454048
4	150454062
5	151454814
6	150454058
7	150454059
8	151454819
9	151454817
10	150454060
11	151454815
12	150454061
13	151454816
14	150454027 BRK 12/22
14	150454032 BRK 11/21
15	150454057



It is highly recommended to connect all electronic pulsators to a clean air line



BRK-12 / BRK-22
CONNECTION BOX WIRING

