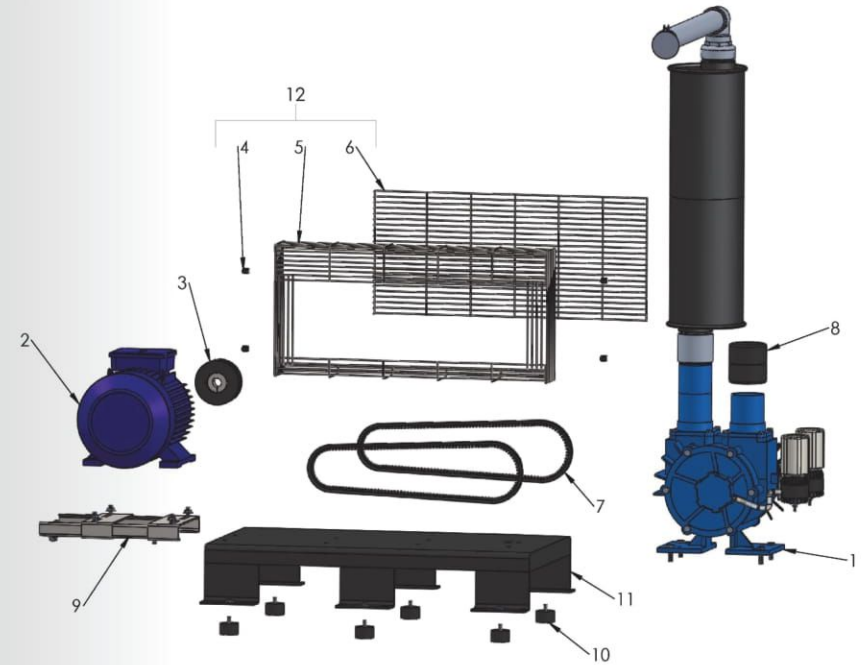


BRK 3000

Technical Specifications



	BRK 2400	BRK 3000
Type		Rotary vane
Capacity 50 kPa	2400 l/min	3000 l/min
Vane dimensions		259,5X88X6 mm
Pump bearing		6306 open type
Motor	5,5 kw.	7,5 kw.
Pump pulley	17x170-2	17x150-2
Motor pulley	17x100-2	17x140-2
Pump RPM	850	1100
Belt dimension		17x1300
Pump inlet		3"
Pump outlet		3"
Silencer lenght		710 mm
Silencer diameter		200 mm
Silencer pipe		2"
Oiler		Double
Oiler tube		4x8 Pvc
Oiler nipple		M6x5 mm
Pump oil nipple		M5x5 mm
Silencer drainage nipple		1/8"x8 mm
Widht		610 mm
Length		920 mm
Height(silencer included)		1680 mm

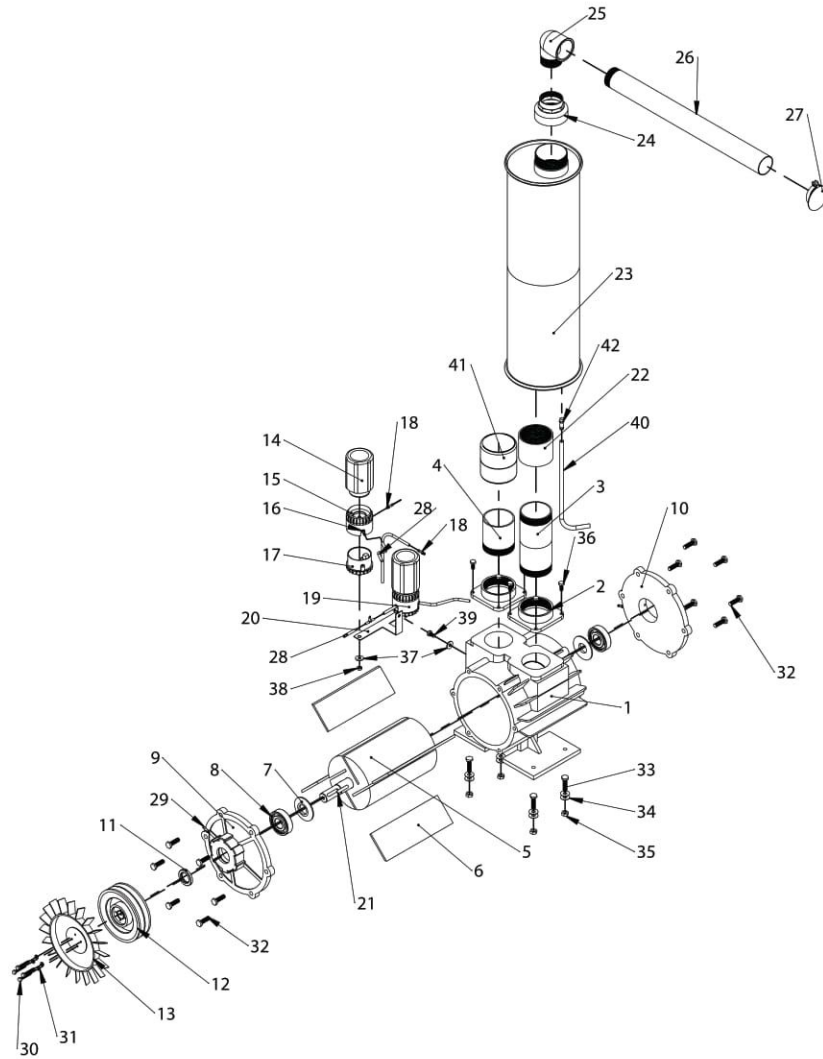


No	Reference
1	151461815
2	150461023
3	151461049
4	151361025
5	150461007
6	150461118

No	Reference
7	150461142
8	150461085
9	150461026
10	150461008
11	150461190
12	151461820

BRK 3000

Technical Specifications



No	Reference
1	151461810
2	151461813
3	150423048
4	150423048
5	151461809
6	150461028
7	151461033
8	150461167
9	151461812
10	151461811
11	150461198
12	150461178
13	150461115
14	150361017
15	150361036
16	150361033
17	150361034
18	150361062
19	150361018
20	151461818
21	150361041
22	150461188
23	151461819
24	150461189

No	Reference
25	150461074
26	151461026
27	151461025
28	150361030
29	151461008
30	150311015
31	150361023
32	150423004
33	150611020
34	150611012
35	150611013
36	150350036
37	150419017
38	150461010
39	150361021
40	150618003
41	150461085
42	150461132

