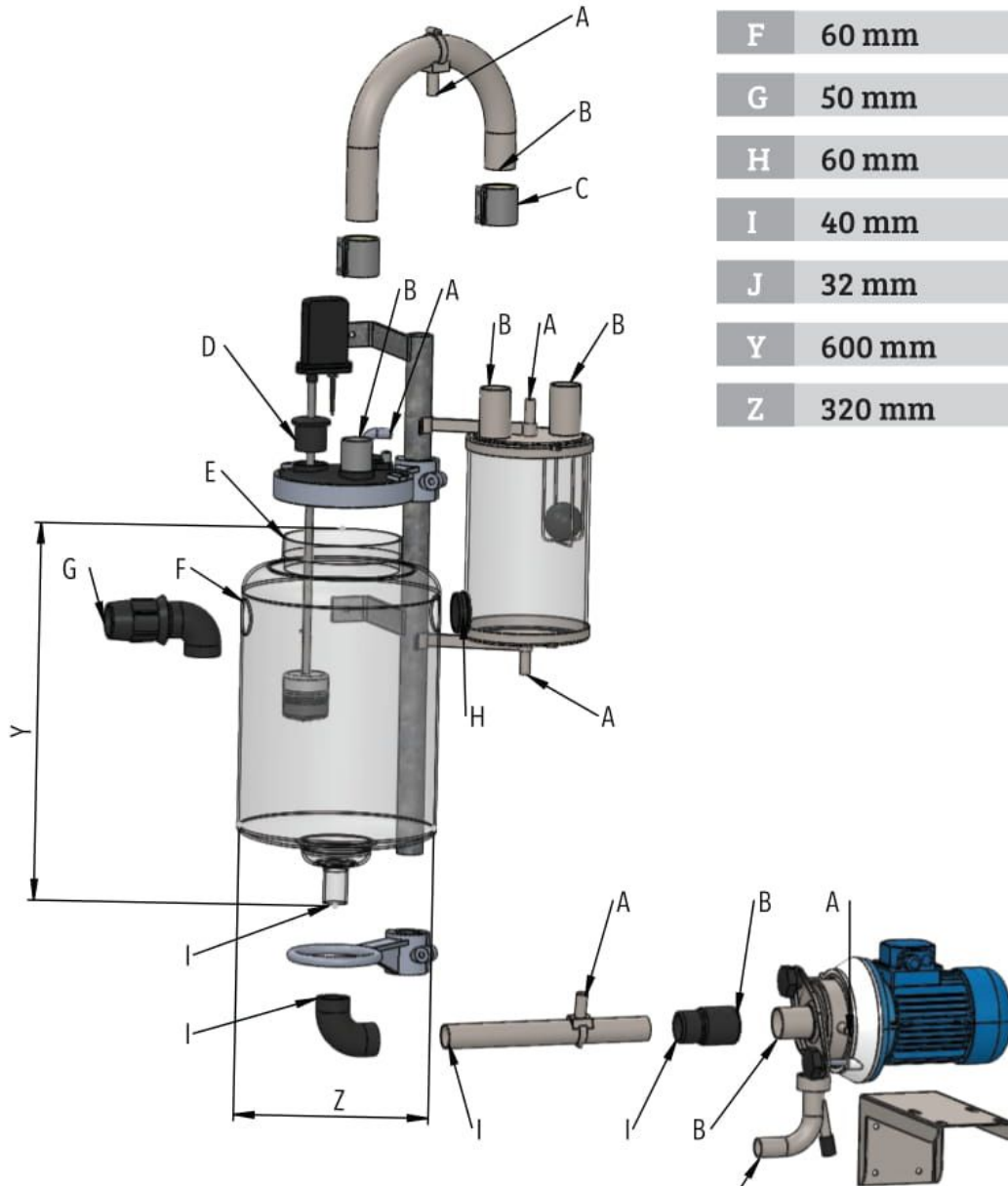


# BRK 32

## RECEIVING UNIT



A	16 mm
B	51 mm
C	50 mm Connection
D	Level Controller Adaptor
E	192 mm
F	60 mm
G	50 mm
H	60 mm
I	40 mm
J	32 mm
Y	600 mm
Z	320 mm

Supporting tube	Hot dipped galvanised
Sanitary trap supports	Stainless steel
Receiver supports	Aluminium
Sanitary trap	9lt transparent poly body, stainless steel covers
Receiver top cover	EPDM
Milk pump support	Stainless steel, Wall type
Milk pump capacity	9000 l/hour

Electric motor options	0,75 kw 220V 50Hz
	0,75 kw 380V 50Hz
	1,1 kw 380V 50Hz