

BRK 11-12

Teknik Özellikler



Model	Referans	
BRK11 12VDC	151450837	Kartsız
BRK11 24VDC	151450832	Kartsız
BRK12 12VDC	151450841	PCB Kartlı
BRK12 24 VDC	151450831	PCB Kartlı

	BRK 11	BRK 12
Sistem	Direk servo kontrollü	
Voltaj	12 VDC veya 24 VDC	
Amper	12 VDC 1,8 A (Çift Bobinle)	24 VDC 0,84 A 12 VDC 1 A (Çift Bobinle)
Gövde	Nylon 66	
Pistonlar	Paslanmaz çelik	
Contalar	EPDM kauçuk	
Kablo	3x0,50	2x0,50
Kablo Bağlantı	Kahve + 24 VDC Mavi + 24 VDC Sarıyeşil - 24VDC	Kahve + 24 VDC Mavi - 24 VDC

PCB

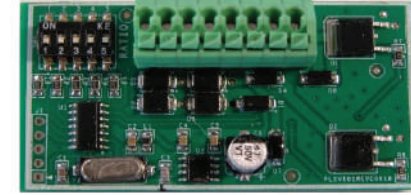


Bağlantı

½" Dıştan dışlı

½" Dıştan dışlı

Pülsatör Programları



DIP Siviç Ayarları

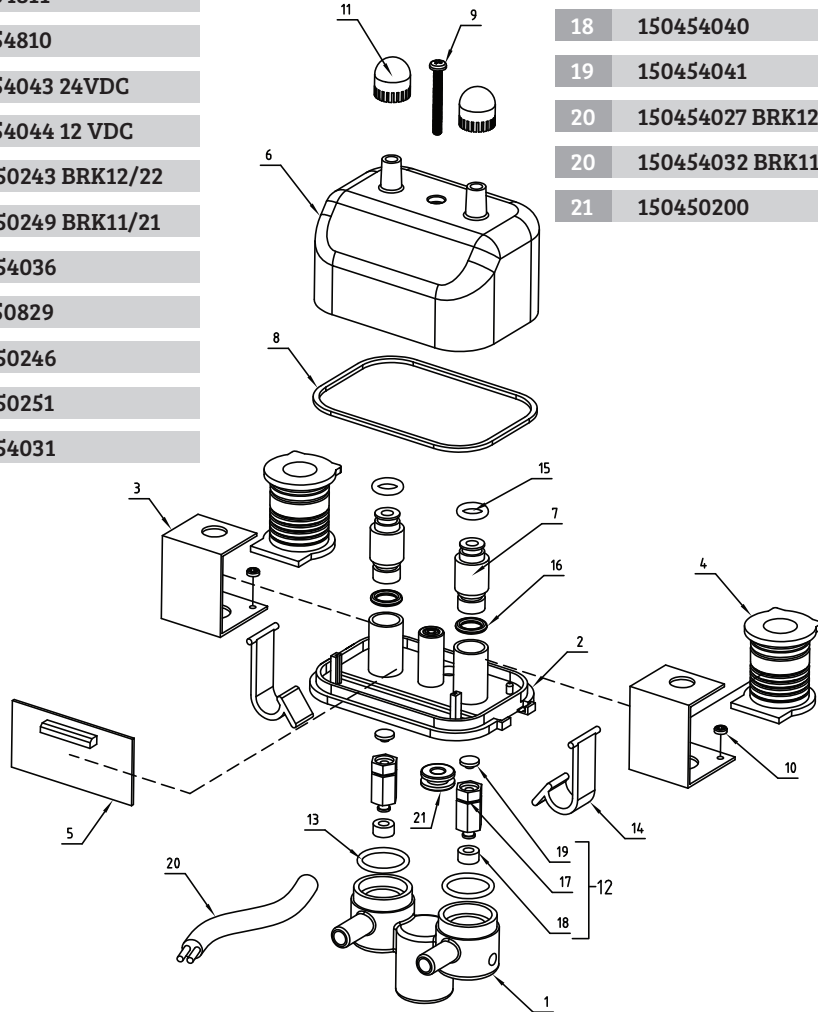
	1	2	3	4	5	ORAN	NABİZ
0	ON	OFF	OFF	OFF	OFF	50/50	50
1	OFF	ON	OFF	OFF	OFF	50/50	54
2	OFF	OFF	OFF	OFF	ON	50/50	90
3	ON	ON	ON	ON	OFF	50/50	120
4	ON	OFF	OFF	OFF	ON	50/50	150
5	OFF	ON	OFF	OFF	ON	50/50	180
6	ON	ON	OFF	OFF	OFF	55/45	54
7	OFF	OFF	ON	OFF	OFF	55/45	56
8	OFF	OFF	OFF	ON	OFF	65/35	62
9	ON	OFF	OFF	ON	OFF	65/35	64
10	ON	ON	ON	OFF	OFF	65/35	60 EŞ ZAMANLI
11	ON	OFF	ON	OFF	OFF	60/40	56
12	OFF	ON	ON	OFF	OFF	60/40	58
13	OFF	OFF	OFF	OFF	OFF	60/40	60
14	OFF	ON	ON	ON	OFF	60/40	90
15	ON	ON	OFF	OFF	ON	60/40	120
16	OFF	OFF	ON	OFF	ON	60/40	150
17	ON	OFF	ON	OFF	ON	60/40	180
18	OFF	ON	OFF	ON	OFF	70/30	60
19	ON	ON	OFF	ON	OFF	70/30	62
20	OFF	OFF	ON	ON	OFF	70/30	64
21	ON	OFF	ON	ON	OFF	70/30	66

BRK 11-12

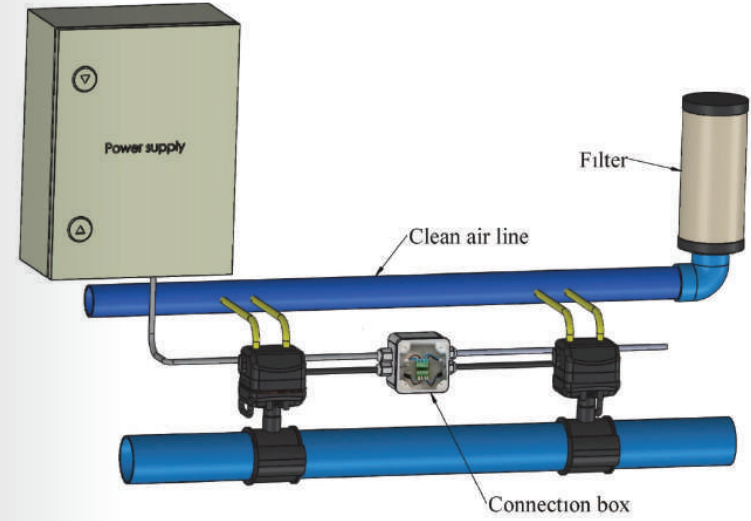
Teknik Özellikler

No	Referans
1	150454038
2	151454811
3	151454810
4	151454043 24VDC
4	151454044 12 VDC
5	150450243 BRK12/22
5	150450249 BRK11/21
6	150454036
7	151450829
8	150450246
9	150450251
10	150454031

No	Referans
11	150454035
12	151450833
13	150454028
14	150454039
15	150454029
16	150454030
17	151450830
18	150454040
19	150454041
20	150454027 BRK12/22
20	150454032 BRK11/21
21	150450200



Elektronik Pülsatörlerin temiz hava hattına bağlanması tavsiye edilir.



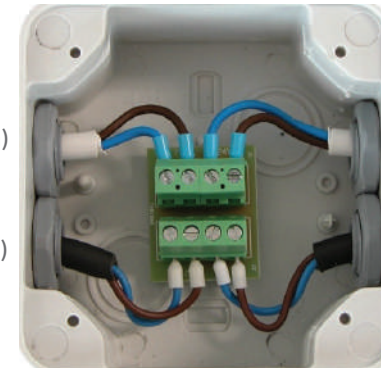
BRK 11/12 ve BRK 21/22 BAĞLANTI KARTI

24 VDC GİRİŞ (2x1,5 mm)

24 VDC ÇIKIŞ (2x1,5 mm)

PÜLSATÖR (2x0,50 mm)

PÜLSATÖR (2x0,50 mm)



BRK 11-12

Teknik Özellikler



Model	Referans	
BRK21 24VDC	151450922	Kartsız
BRK22 24VDC	151450894	PCB Kartlı

	BRK 21	BRK 22
Sistem	Pilot valf kontrollü	
Voltaj	24 VDC	
Amper	0,12 A (Çift Bobinle)	0,09 A
Gövde	Nylon 66	
Contalar	Silikon	
Kablo	3x0,50	2x0,50
Kablo Bağlantı	Kahve + 24 VDC Mavi + 24 VDC Sarıyeşil - 24VDC	Kahve + 24 VDC Mavi - 24 VDC

PCB

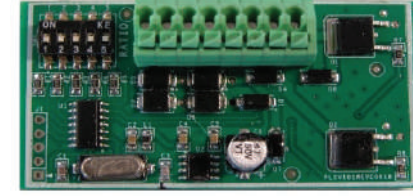


Bağlantı

½" Dıştan Dişli

½" Dıştan Dişli

Pülsatör Programları



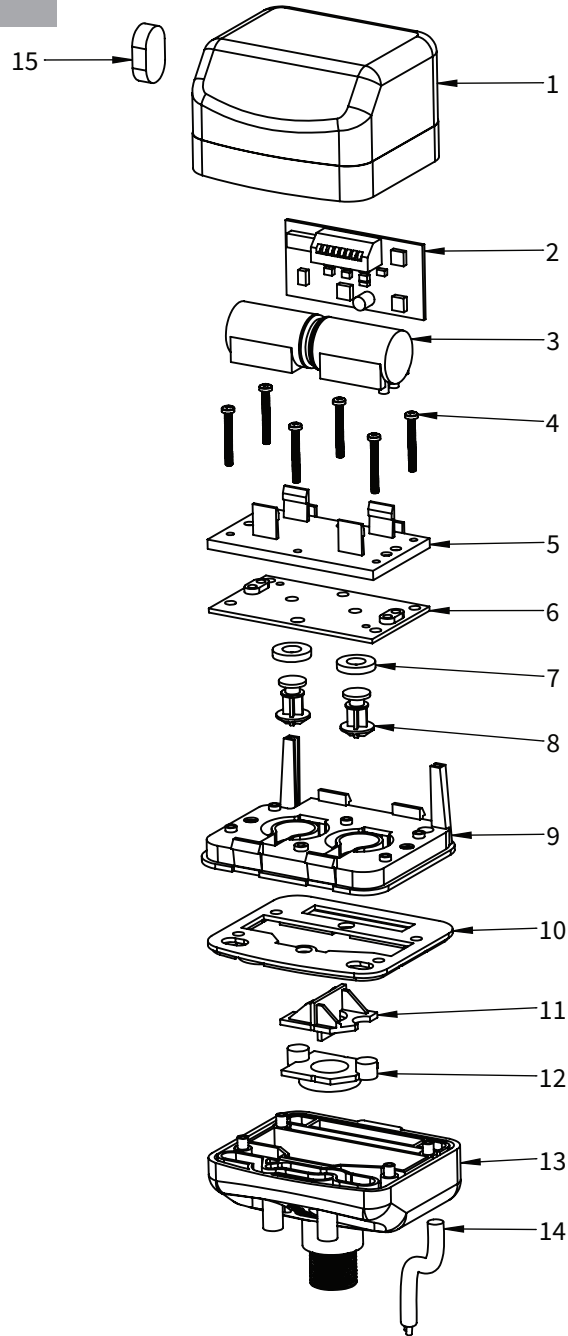
DIP Siviç AYARLARI

	1	2	3	4	5	ORAN	NABİZ
0	ON	OFF	OFF	OFF	OFF	50/50	50
1	OFF	ON	OFF	OFF	OFF	50/50	54
2	OFF	OFF	OFF	OFF	ON	50/50	90
3	ON	ON	ON	ON	OFF	50/50	120
4	ON	OFF	OFF	OFF	ON	50/50	150
5	OFF	ON	OFF	OFF	ON	50/50	180
6	ON	ON	OFF	OFF	OFF	55/45	54
7	OFF	OFF	ON	OFF	OFF	55/45	56
8	OFF	OFF	OFF	ON	OFF	65/35	62
9	ON	OFF	OFF	ON	OFF	65/35	64
10	ON	ON	ON	OFF	OFF	65/35	60 EŞ ZAMANLI
11	ON	OFF	ON	OFF	OFF	60/40	56
12	OFF	ON	ON	OFF	OFF	60/40	58
13	OFF	OFF	OFF	OFF	OFF	60/40	60
14	OFF	ON	ON	ON	OFF	60/40	90
15	ON	ON	OFF	OFF	ON	60/40	120
16	OFF	OFF	ON	OFF	ON	60/40	150
17	ON	OFF	ON	OFF	ON	60/40	180
18	OFF	ON	OFF	ON	OFF	70/30	60
19	ON	ON	OFF	ON	OFF	70/30	62
20	OFF	OFF	ON	ON	OFF	70/30	64
21	ON	OFF	ON	ON	OFF	70/30	66

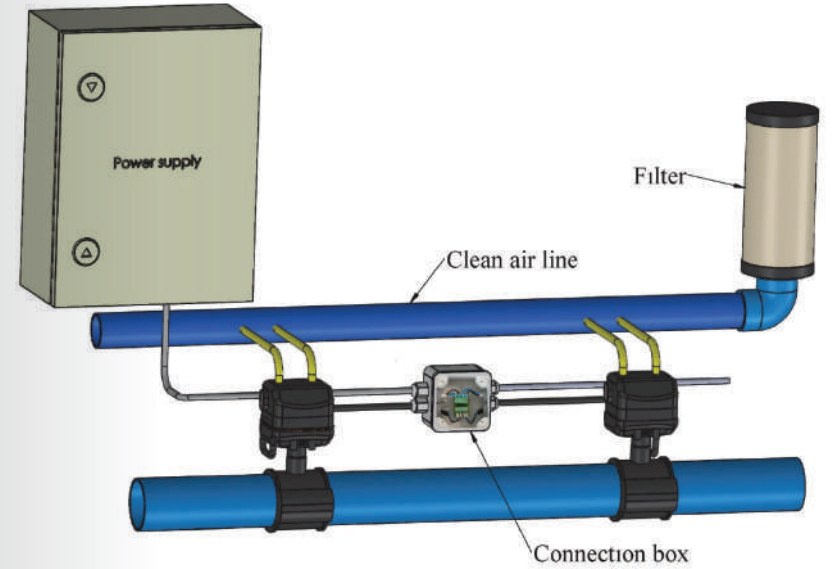
BRK 11-12

Teknik Özellikler

No	Referans
1	151454813
2	150450243 BRK 12/22
2	150450249 BRK 11/21
3	151454048
4	150454062
5	151454814
6	150454058
7	150454059
8	151454819
9	151454817
10	150454060
11	151454815
12	150454061
13	151454816
14	150454027 BRK 12/22
14	150454032 BRK 11/21
15	150454057



Elektronik Pülsatörlerin temiz hava hattına bağlanması tavsiye edilir.



BRK-12 / BRK-22
CONNECTION BOX WIRING

24 VDC IN (2x1,5 mm)

24 VDC OUT (2x1,5 mm)

PÜLSATÖR (2x0,50 mm)

PÜLSATÖR (2x0,50 mm)

